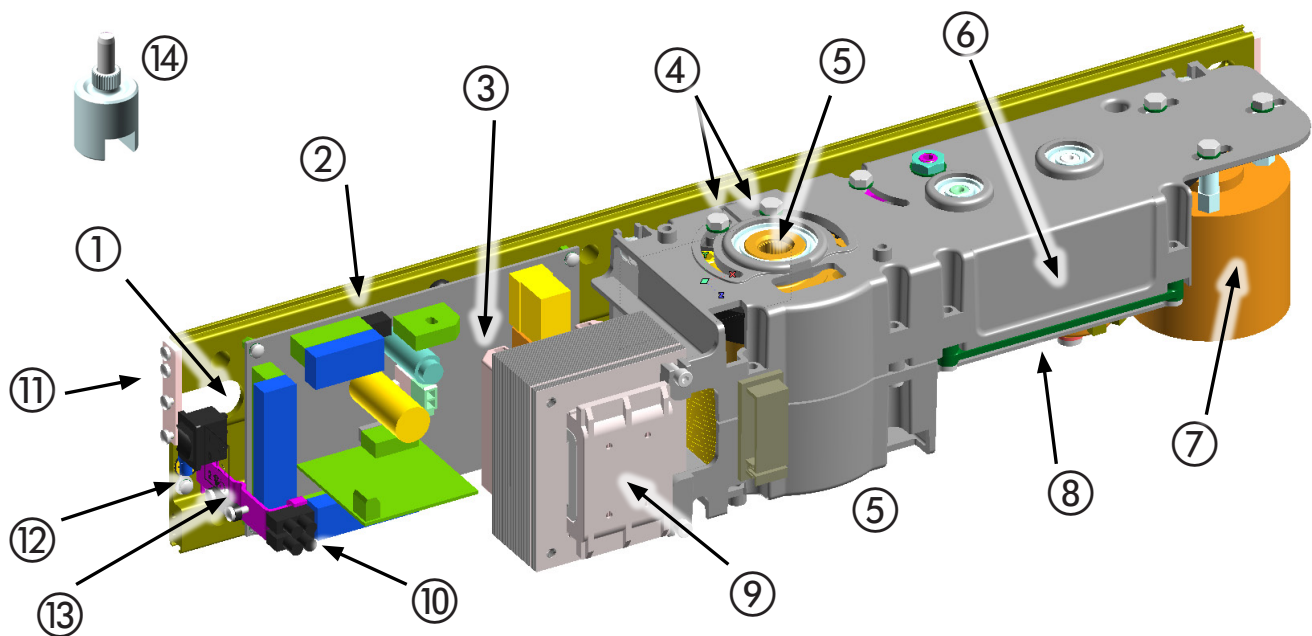
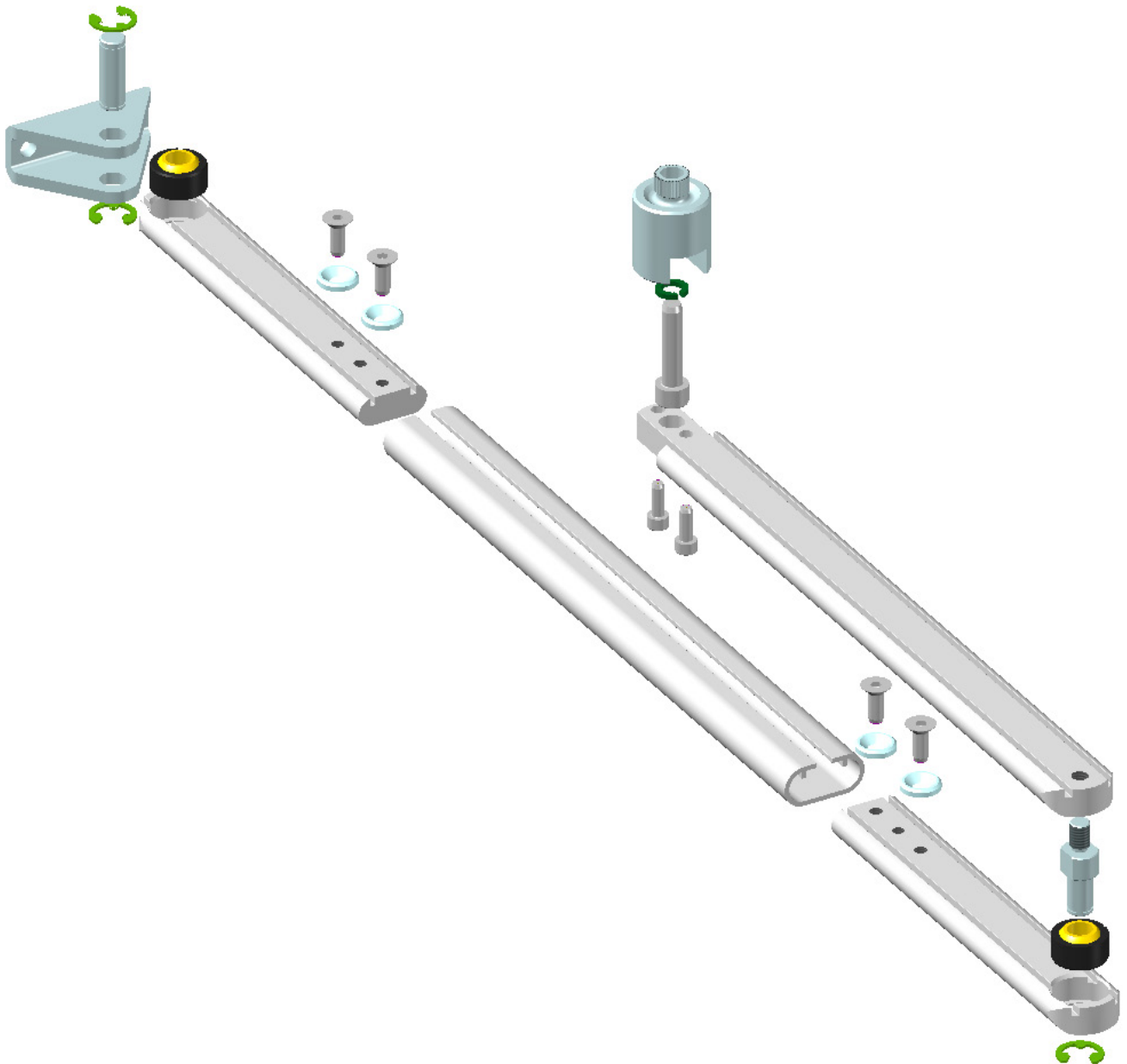
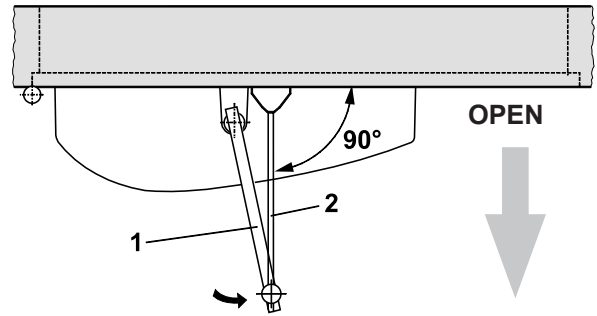
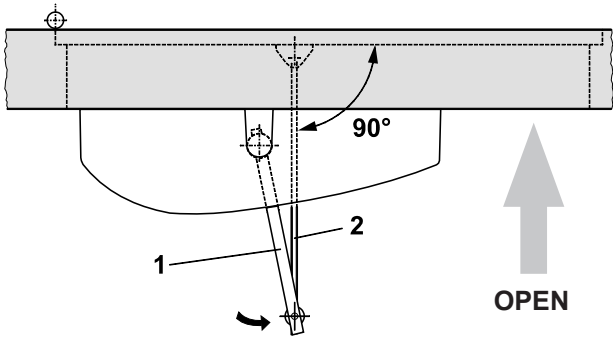


950N ADDENDUM

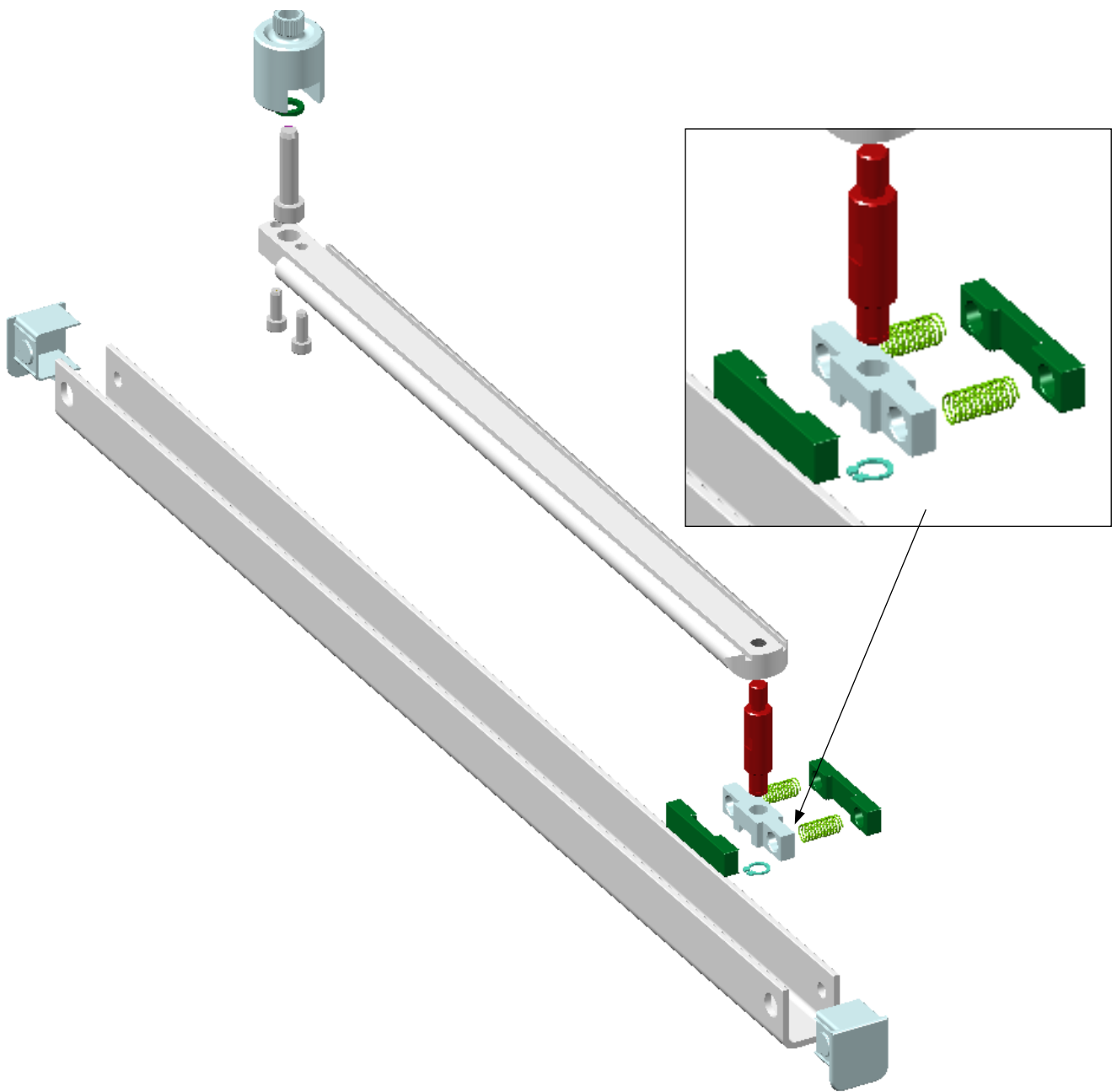
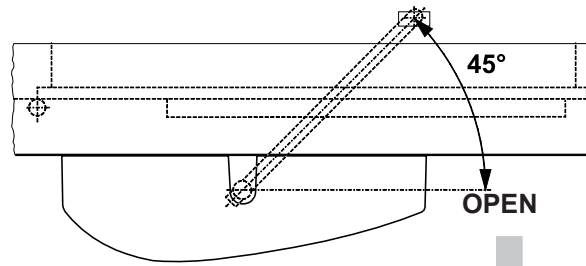


1. Cable routing holes
2. Support profile
3. 950 I/O unit
4. Mechanical stops adjustment
5. Motion transmission shaft coupling
6. Drive unit and return spring
7. Electric motor
8. 950 MPS programming unit
9. Transformer
10. Mains power supply terminal board
11. Housing securing bracket
12. Grounding terminal
13. Power supply cable securing terminal
14. Extension coupling

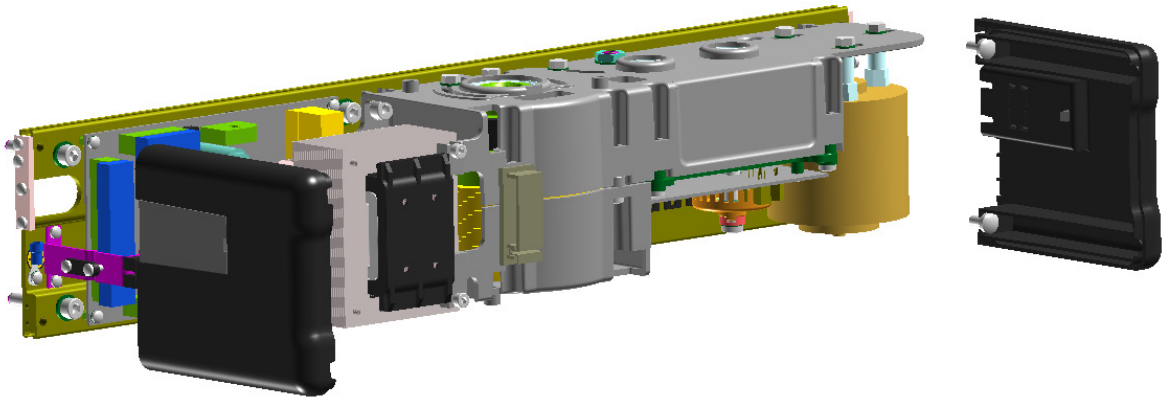
ARTICULATED ARM



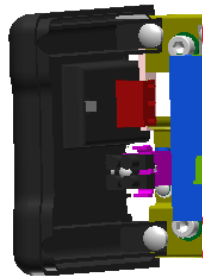
SLIDING ARM



ASSEMBLING THE ALUMINIUM HOUSING



4x
TCI M5 x 10
FIXING SCREWS



4x
TCI M5 x 10
FIXING SCREWS

