

## Electromagnetic Locks & Accessories

### M68 Series 1200 lbs. Holding Force Magnalock®



1200 lbs. holding force Magnalock with automatic dual voltage. This model offers a built-in wire access chamber and bracket mount design for a unique method of installation. Recommended for interior and perimeter doors through which criminals could gain entrance to cause substantial economic loss.

#### Product Features

- Patented instant release circuit - no residual magnetism
- Surface mounts easily with mounting bracket using minimal tools
- Internal wire access chamber
- Mounted using steel machine screws into blind finishing nuts
- Brushed aluminum finish
- All ferrous metal surfaces plated to MIL specification
- Automatic dual voltage - no field adjustment required
- Dress Covers available
- Lock options include door position switch, LED indicator and anti-tamper switch
- UL Listed

#### Specification Data

Holding Force: 1200 lbs. [544 Kg.]  
 Current Draw and Voltage: 250mA at 12VDC; 125mA at 24VDC  
 Operating Temperature: +32 to +110F [0 to +43C]  
 Shipping Weight: 13 lbs.  
 Warranty: MagnaCare Lifetime Replacement Warranty

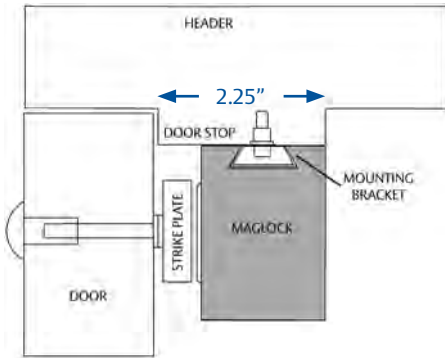
#### How To Order

Part #	Description
M68	Magnalock Model M68
M68D	M68, Door Position
M68DL	M68, Door Position, LED
M68DLS	M68, Door Position, LED, Senstat
M68DLST	M68, Door Position, LED, Senstat, Tamper
M68DLT	M68, Door Position, LED, Tamper
M68DS	M68, Door Position, Senstat
M68DST	M68, Door Position, Senstat, Tamper
M68DT	M68, Door Position, Tamper
M68L	M68, LED
M68LS	M68, LED, Senstat
M68LT	M68, LED, Tamper
M68S	M68, Senstat
M68ST	M68, Senstat, Tamper
M68T	M68, Tamper

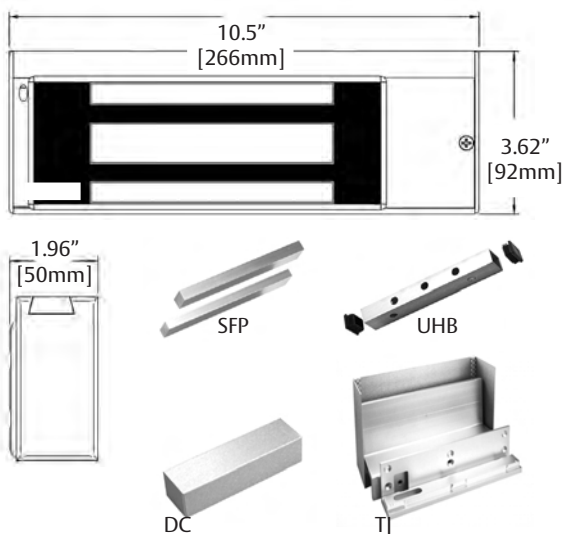
See next page for more Information on M68 lock options

#### Optional M68 Brackets & Accessories

Prefix	Description
SFP	Stop Filler Plate
UHB	Universal Header Bracket
DC	Dress Cover
TJ	Top Jamb Kit (inswing)



The M68 with Strike requires minimum 2.25" of flat mounting space



Brackets and Accessories for the M68 begin on page 17

#### NOTE

An Offset Strike may be required for proper installation of the M68 in aluminum frame door applications. See M68 Offset Strikes on next page